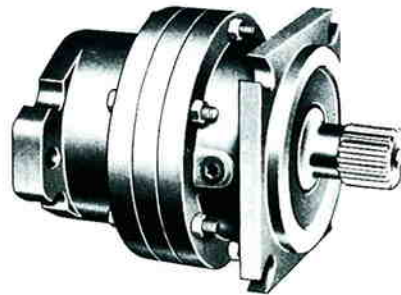
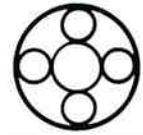




OTHER PRODUCTS

REDUCER/INCREASER 50 PGR Series Specification Sheet



The CROSS Series 50 PGR gear reducer is a high torque, low speed unit with a peak output of 10,000 in. lbs. and a maximum continuous output torque of 8,000 in. lbs. This 5.33 to 1 planetary reducer also provides a radial load capacity almost double that of competitive units. Designed for use with the Cross 50 Series hydraulic motors, or other equivalent motors, they may be used for many general mechanical speed reduction or increase applications.

GENERAL SPECIFICATIONS:

Reduction ratio	5.33 to 1 / increaser ratio	1 to 5.33
Efficiency (average)		96%
Maximum output speed		750 RPM
Maximum output torque (continuous)	8,000 in. lbs. (92 KG-M)	
Peak output torque (intermittent - 2% duty cycle)	10,000 in. lbs. (115 KG-M)	
Maximum horsepower (at rated speed and torque)	95 hp (71 Kw)	
Input mounting	SAE "B" 2-bolt	
Input shaft (female)	7/8" spline, 13 tooth, 16/32 pitch, 30° P.A. flat root side fit	
Output mounting	SAE "C" 4-bolt	
Output shaft	SEE Standard SHAFT CHART on BACK	
Weight	21 pounds	

MATERIAL SPECIFICATIONS:

Housing	sandcast aluminum alloy
Gears	hardened steel cut
Shaft	ductile iron

STANDARD FEATURES:

Tapered roller bearings for end load and side thrust

OPTIONAL FEATURES:

Output shafts - 1 1/2" spline - 17 tooth, 1 1/4" spline - 14 tooth; 1 1/2" and 1 1/4" Keyed

APPLICATION INFORMATION:

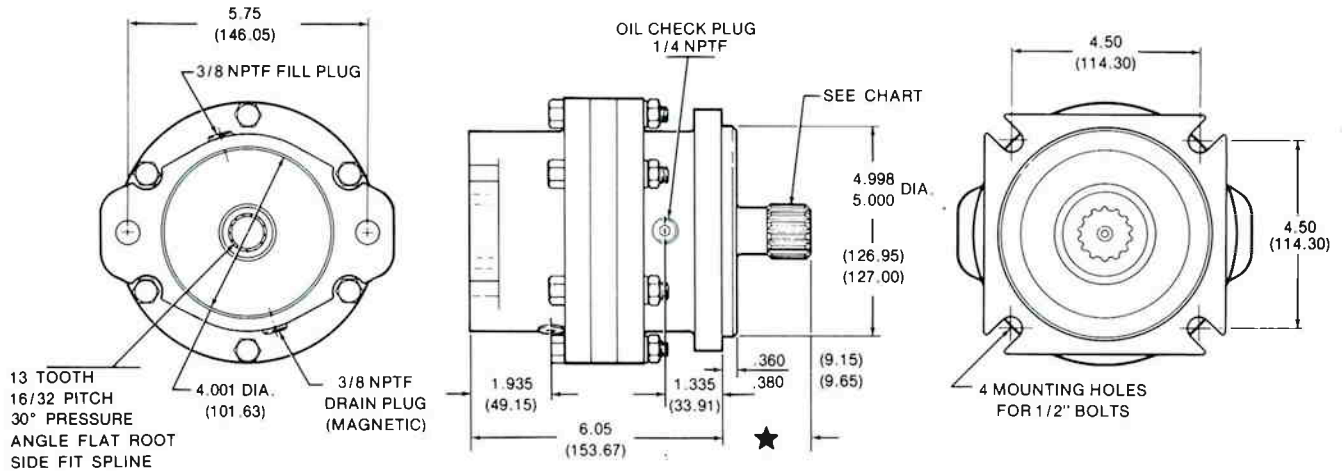
Can be mounted in any position, maximum input speed-4000 RPM, maximum input torque 1500 in. lbs. (17KG-M) continuous, 1875 in. lbs. (22KG-M) intermittent.

LUBRICATION REQUIREMENTS:

Use EP 90 wt. gear lubricant. Change after first 50 hours of use and periodically thereafter as indicated by inspection for contamination. Capacity 150-160 CC.



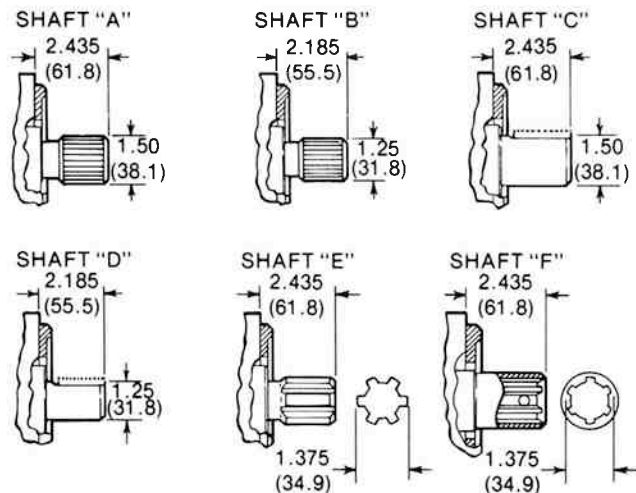
DIMENSIONAL DATA: in inches and (millimeters)



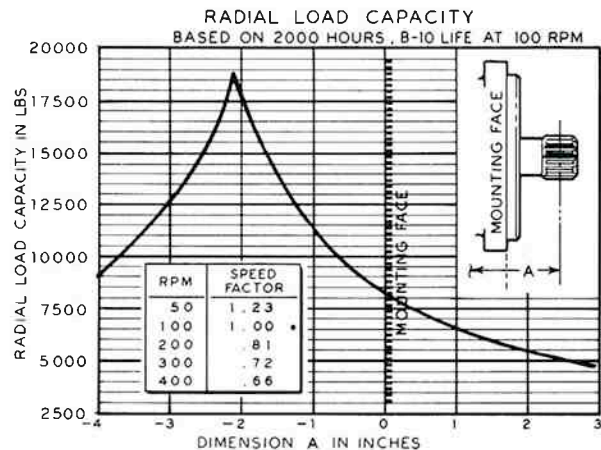
★ This Dimension is 2.185 for the 1/4" Shaft; 2.435 for the 1/2" Shaft.
(55.50) (61.85)

OUTPUT SHAFT:

Shaft Type:	DESCRIPTION
A	1 1/2" spline, 17 tooth, 12/24 pitch, 30° pressure angle, flat root side fit
B	1 1/4" spline, 14 tooth, 12/24 pitch, 30° pressure angle, flat root side fit
C	1 1/2" dia. with keyway for 3/8" key
D	1 1/4" dia. with keyway for 5/16" key



TYPICAL PERFORMANCE DATA



ORDERING INFORMATION

5P0020-066 For A Type Shaft	5P0020-071 For C Type Shaft	5P0020-071 For C Type Shaft
5P0020-069 For B Type Shaft	5P0020-073 For D Type Shaft	5P0020-073 For D Type Shaft



CROSS MANUFACTURING, INC.
100 Factory Street
Lewis, Kansas 67552
Phone 620/324-5525; FAX 620/324-5737; e-mail: info@crossmfg.com