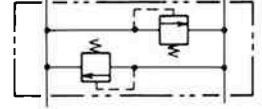




# HYDRAULIC RELIEF VALVES

## DOUBLE RELIEF RC SERIES Specification Sheet



The CROSS series RC differential - poppet type double relief valve has been designed to protect equal displacement cylinders or motors from external or shock loads. Fluid which passes through one relief valve flows directly to the opposite side or circuit of the valve, thus preventing cavitation of the cylinder or motor as a result of relief discharge. These units incorporate the same hydraulically dampened poppet design as the RD series units.

### GENERAL SPECIFICATIONS

Pressure range.....	500 psi (34 bar) to *3000 psi (207 bar)
Maximum flow capacity .....	30 gpm (114 l/m)
Weight .....	4 lbs. (1.8 Kg)

\*with SAE ports

### MATERIAL SPECIFICATIONS

Housing.....	Ductile iron
Poppet.....	Hardened and ground steel
Seals .....	Buna N

### STANDARD FEATURES

- 3/4" NPTF dry seal pipe thread pipe ports
- Adjustable type, screw adjustment with acorn nut
  - Two ranges: 500 to 1499 psi (A)
  - 1500 to 3000 psi (B)
- Non-adjustable, factory pre-set
- Bodied, "in-line" mounting, with mounting holes for 5/16" dia. bolts

### OPTIONAL FEATURES

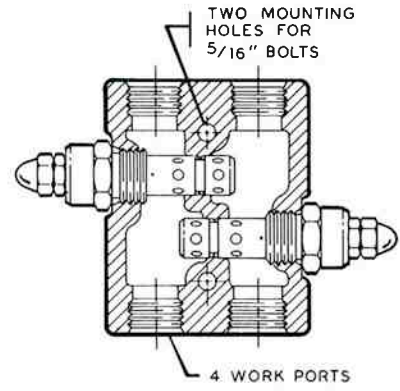
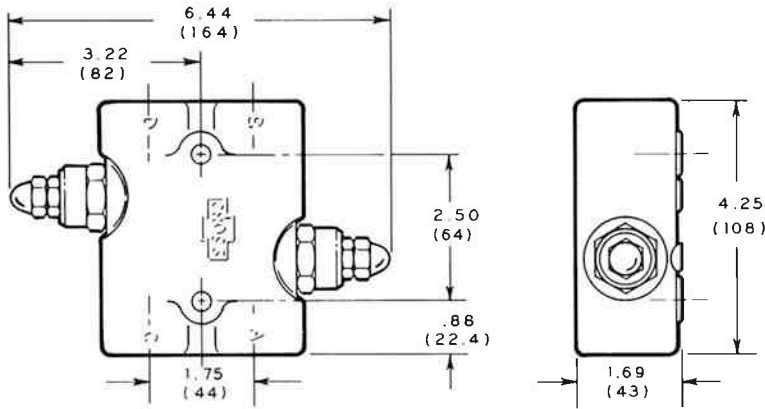
- 3/4 - 16 (1/2" SAE #8) straight thread o-ring ports
- 7/8 - 14 (5/8" SAE #10) straight thread o-ring ports
- 1 1/16 - 12 (3/4" SAE #12) straight thread o-ring ports
- 1/2" NPTF dry seal pipe thread pipe ports

### STYLES AVAILABLE

RC1: Adjustable	RC2: Non-adjustable
-----------------	---------------------

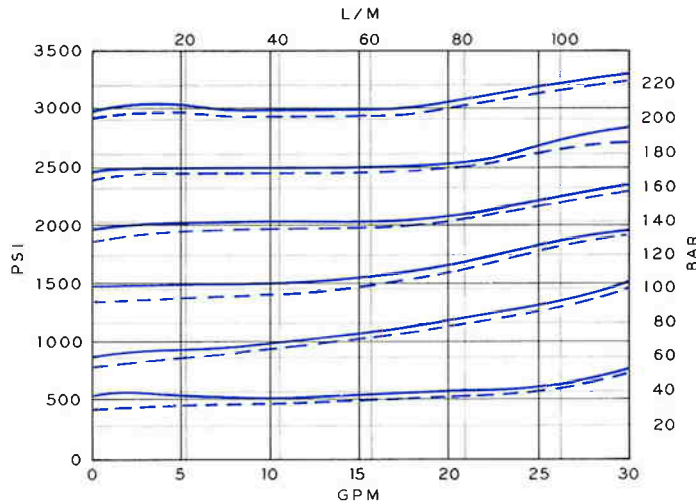


**DIMENSIONAL DATA** in inches and (millimeters)



**INTERNAL CONFIGURATION**

**TYPICAL PERFORMANCE DATA**



100 SSU oil at 120° F.

— Increasing flow  
- - - Decreasing flow

**ORDERING DATA**

SERIES	ADJUSTMENT	PORT SIZE and TYPE	PRESSURE SETTING (psi)	
			Ports A/B #1	Ports C/D #2
RC	1 Adjustable	1-1/2" NPTF 2-3/4" NPTF 3-1/2" SAE #8	A - 500 B - 1000 (1) C - 1500	A - 500 B - 1000 (1) C - 1500
	2 Non-Adjustable	3/4 - 16 4-5/8" SAE #10 7/8 - 14 5-3/4" SAE #12 1 1/16 - 12	D - 2000 (2) E - 2500 F - 3000 G - Other	D - 2000 (2) E - 2500 F - 3000 G - Other

(1) Standard setting for 500 - 1500 adjust. units

(2) Standard setting for 1500 - 3000 adjust. units



**CROSS MANUFACTURING, INC.**

100 Factory Street  
Lewis, Kansas 67552

Phone 620/324-5525; FAX 620/324-5737; e-mail: info@crossmfg.com