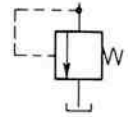


HYDRAULIC RELIEF VALVES

PILOT OPERATED TYPE
RV SERIES
Specification Sheet



RV 2



1R0002

The CROSS series RV pilot operated relief valves have been designed to provide good response with low differential between opening and full flow pressures. These units give smooth, quiet operation and a built-in pilot flow filter provides trouble free operation.

GENERAL SPECIFICATIONS

| | |
|-----------------------------|---|
| Pressure range | 400 psi (28 bar) to *3000 psi (207 bar) |
| Maximum flow capacity | 40 gpm (114 l/m) |
| Weight | 4 lbs. (1.8 Kg) |
| | *with SAE ports |

MATERIAL SPECIFICATIONS

| | |
|---------------|---------------------------------|
| Housing | High tensile strength gray iron |
| Poppet | Hardened and ground steel |
| Seals | Buna N |

STANDARD FEATURES

- 1¹/₁₆ - 12 (3/4" SAE #12) straight thread o-ring ports
- Screw adjustment with knob (for frequent adjustment)
- Bodied, "in-line" mounting, with mounting holes for 5/16" dia. bolts

OPTIONAL FEATURES

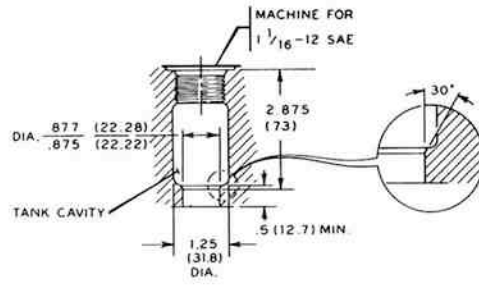
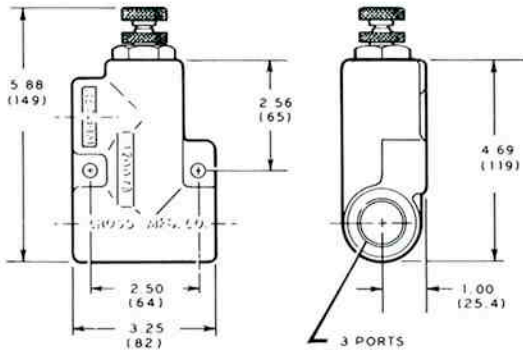
- 7/8 - 14 (5/8" SAE #10) straight thread o-ring ports
- 3/4" NPTF dry seal pipe thread ports
- Cartridge type, for installation in machined housing
- Screw adjustment with acorn nut (for infrequent adjustment)

STYLES AVAILABLE

- RV1: RV series, with body, with screw adjustment and acorn nut
- RV2: RV series, with body, with screw/knob adjustment
- 1R0001: RV series, cartridge only, with screw adjustment and acorn nut
- 1R0002: RV series, cartridge only, with screw/knob adjustment

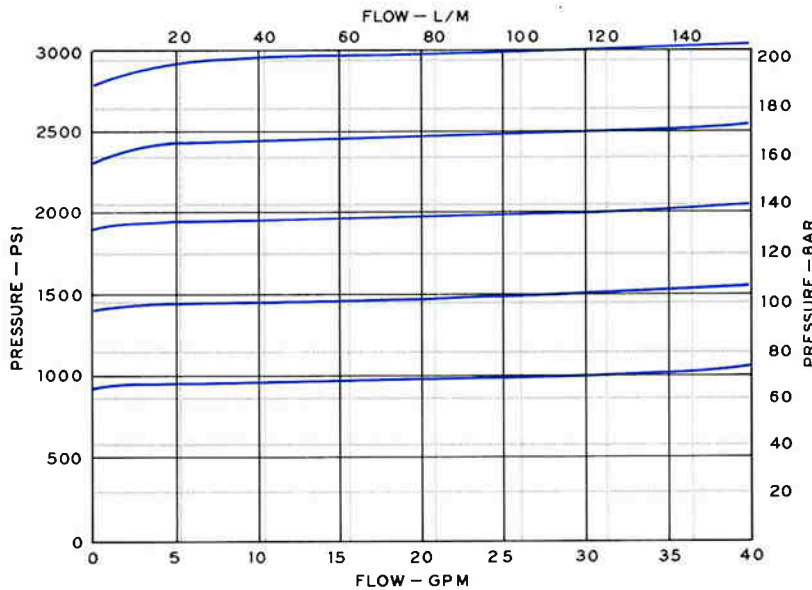


DIMENSIONAL DATA inches and (millimeters)



MACHINING DIMENSIONS FOR CARTRIDGE

TYPICAL PERFORMANCE DATA



100 SSU oil at 120° F

ORDERING DATA

| SERIES | ADJUSTABLE | PORT SIZE & TYPE | PRESSURE SETTING (psi) (at 10 gpm) |
|--------|--------------------------------|--|--|
| RV | 1 Adjustable w/acorn nut | 1-3/4" NPTF | A - 500 psi B - 1000 psi C - 1500 psi D - 2000 psi E - 2500 psi F - 3000 psi G - Other psi |
| | *2 Adjustable w/knob | 2-5/8" SAE #10 7/8 - 14 *3-3/4" SAE #12 1 1/16 - 12 | |
| RV | X | X | X |

*Standard



CROSS MANUFACTURING, INC.

100 Factory Street
Lewis, Kansas 67552

Phone 620/324-5525; FAX 620/324-5737; e-mail: info@crossmfg.com