



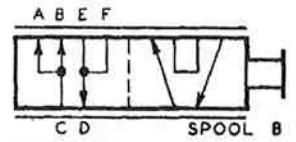
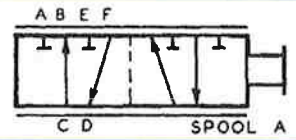
HYDRAULIC VALVES

(DIRECTIONAL CONTROL)

SELECTOR VALVES

SD SERIES

Specification Sheet



The CROSS series SD hydraulic selector valves are spool type, manually operated, 6-way, 2-position valves featuring cast-in metering notches for smooth operation. They provide an economical method of diverting flow to two separate hydraulic circuits or providing various types of multiple system operations in combination with other valves.

GENERAL SPECIFICATIONS

Maximum working pressure.....	5000 * psi (345 bar)
Maximum shock and surge pressure.....	6000 * psi (414 bar)
Maximum flow capacity	40 gpm (151 l/m)
Mounting	2-bolt, any position
	Shipping weight 9 lbs. (4 Kg)

*SAE #12 ports and smaller, 4500 psi for SAE #16 ports, 2500 for NPTF ports.

MATERIAL SPECIFICATIONS

Body	ductile iron
Spool	Ground, plated and polished steel
Seals	Buna N

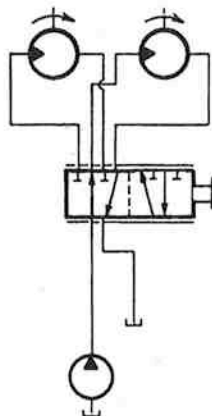
STANDARD FEATURES (See CROSS Full Line Catalog)

- 1" NPTF or 1 5/16-12, SAE #16 ports
- Standard selector spool
- Handle assembly (at port "C")

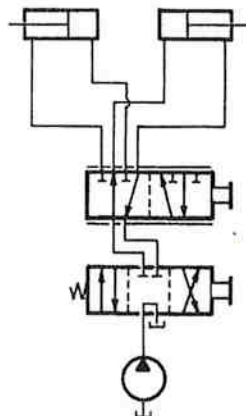
OPTIONAL FEATURES AVAILABLE

- Various port sizes and type
- Series/parallel spool
- Actuators include spring return, detents, handles, and solenoid operators: (must be externally piloted and drained - see FM VSOS)

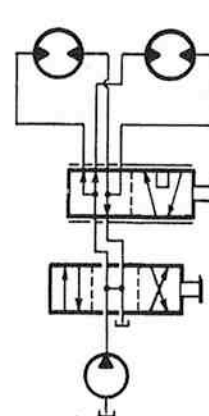
TYPICAL APPLICATIONS (Simplified circuits)



CIRCUIT SELECTOR
Allows either motor to be driven uni-directionally.



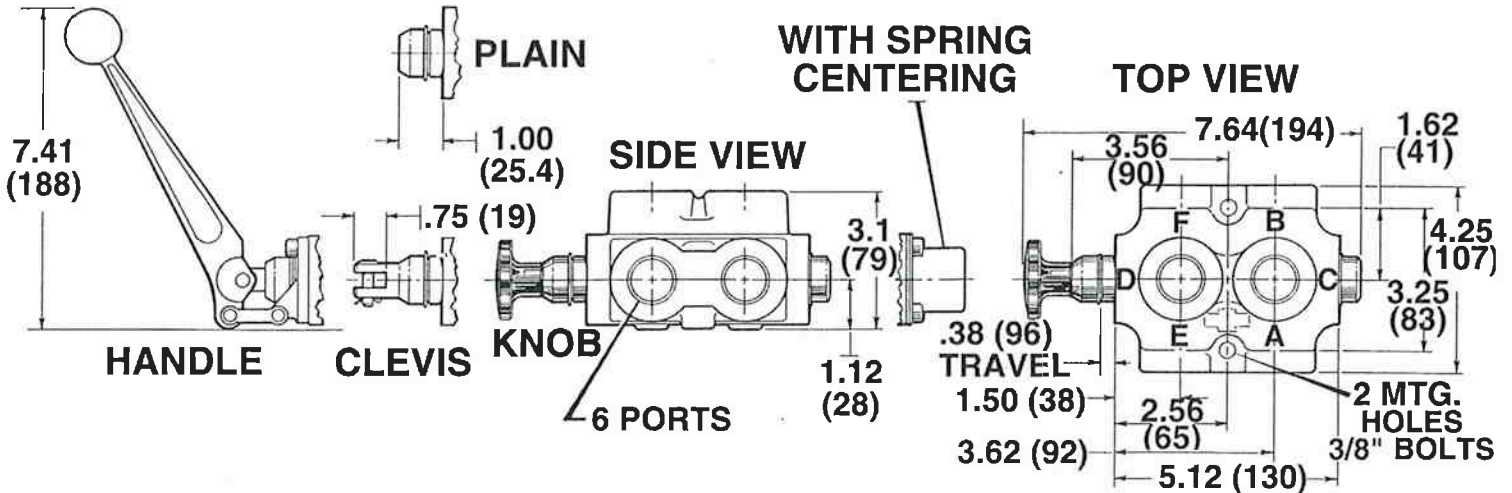
CIRCUIT SELECTOR
Allows either cylinder to be operated by one directional control valve.



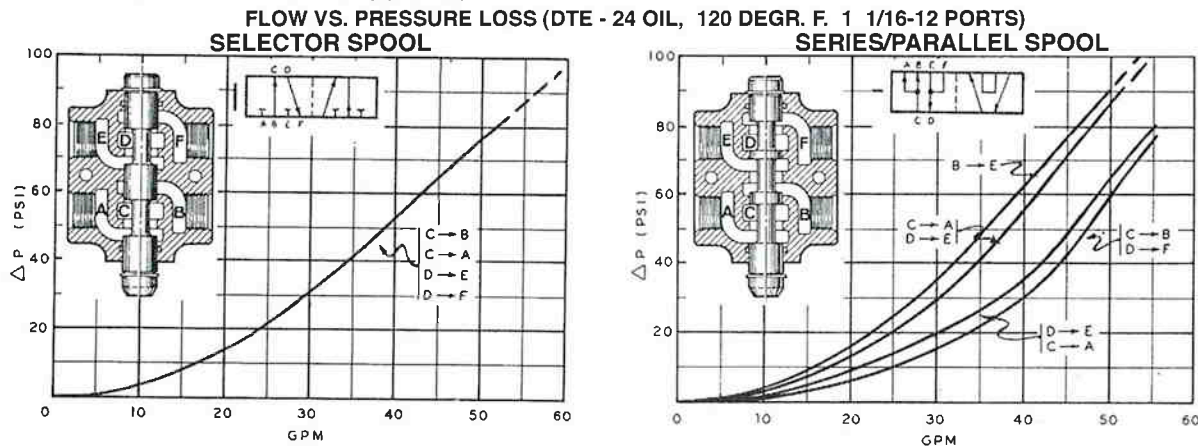
SERIES/PARALLEL
Allows selection of either series or parallel motor operation.



DIMENSIONAL DATA: in inches and (millimeters)



PERFORMANCE DATA: (Typical)



ORDERING DATA:

SERIES	MODEL	ACTUATOR LOCATION	ACTUATOR OPTIONS	END CAP OPTIONS	SPOOL TYPE	PORT SIZES (ALL PORTS)
SD	4 (40 gpm)	A @ Port C side B @ Port D side	A. Handle C. Clevis K. Knob L. Plain U. Hydraulic Pilot G. Other, specify	L. Plain B. Spring Return D. 2 pos. Detent U. Hydraulic Pilot G. Other, specify	A (Selector) B (Series/Parallel)	1. 1/2" NPTF 2. 3/4-16 (SAE #8) 3. 7/8-14 (SAE #10) 4. 3/4 NPTF 5. 1 1/16-12 (SAE #12) 6. 1" NPTF 7. 1 5/16-12 (SAE #16) 8. Other
SD	4	B	K	L	A	5

EXAMPLE: Model SD4BKLA5 is a typical unit with a knob actuator located at "D" port side with standard selector spool & SAE #12 o-ring ports. See Full Line catalog page 8 for standard stock units SSD4 and SSD4-ORB.



CROSS MANUFACTURING, INC.
100 James H. Cross Blvd.
Lewis, Kansas 67552
Phone 620/324-5525; FAX 620/324-5737; e-mail: info@crossmfg.com